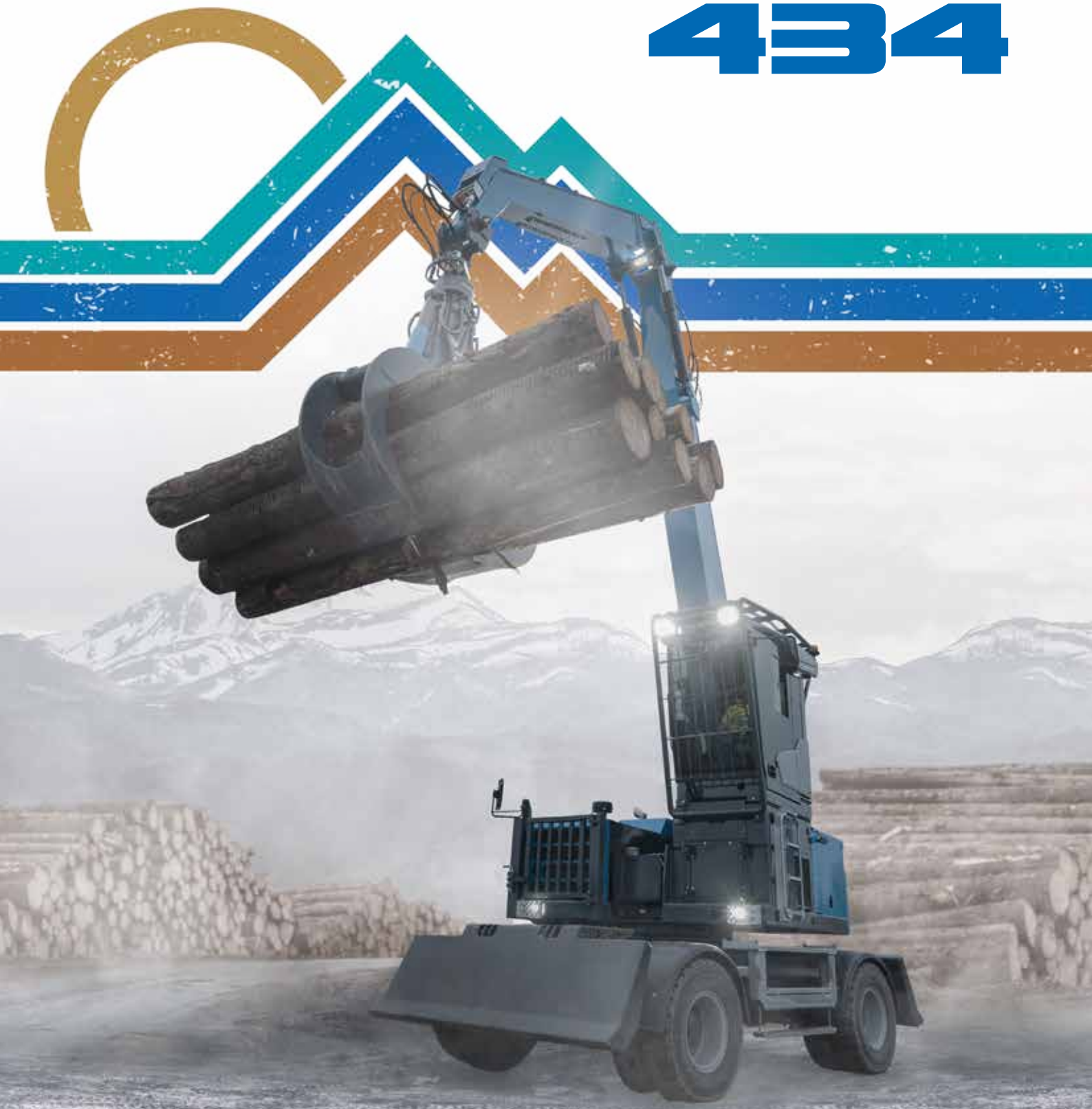


Preliminary

EN

# MHL 434



115 kW



24.1–25.7 t



max. 10.7 m



**FUCHS**<sup>®</sup>

A TEREX BRAND

# Let's handle it!



**MHL  
434**

 **FUCHS**  
A TEREX BRAND

## TECHNICAL DATA

### Operating weight without attachments

MHL434 F	24.1–25.7 t
----------	-------------

### Diesel Engine

	EU Stage V/ U.S. Tier 4	EU Stage IIIA/ U.S. Tier 3*
<b>Manufacturer and model</b>	Deutz TCD 4.1 L4	Deutz TCD 4.1 L4
<b>Design</b>	4-cylinder in-line engine	4-cylinder in-line engine
<b>Functionality</b>	4-stroke diesel, common rail direct injection, turbo-charged with intercooler, controlled exhaust gas recirculation, diesel particulate filter with continuous regeneration and SCR catalytic converter	4-stroke diesel, common rail direct injection, turbo-charged with intercooler
<b>Engine power</b>	115 kW	115 kW
<b>Rated speed</b>	2000 rpm	2000 rpm
<b>Displacement</b>	4.1 l	4.1 l
<b>Cooling system</b>	Water and charge air cooling with temperature controlled fan speed and reversible fan	Water and charge air cooling with temperature controlled fan speed and reversible fan
<b>Exhaust emission standard</b>	EU Stage V/ U.S. Tier 4	EU Stage IIIA/ U.S. Tier 3*
<b>Fuel tank</b>	293 l	293 l
<b>DEF / Urea tank</b>	20 l	□

### Electrical System

<b>Alternator</b>	28 V / 100 A
<b>Operating voltage</b>	24 V
<b>Battery</b>	2 × 12 V / 110 Ah / 750 A (as per EN)
<b>Lighting system</b>	2 × LED headlights, turn signals and tail lights. 6 × LED worklights (cabin front left & right, cabin rear left, counterweight left & right and uppercarriage right). Additional welcome home illumination with remote control, LED light in the engine bay

### Travel Drive

Hydrostatic all wheel travel drive with infinitely variable axial piston motor and directly mounted travel brake valves, 2-gear power shift system	
<b>Travel speed</b>	1st gear: max. 5 kph 2nd gear: max. 19 kph
<b>Turning radius</b>	5.5 m

### Swing Drive

<b>Slewing ring</b>	Internally geared double row slewing ring bearing, greasing via automatic lubrication system
<b>Drive</b>	2-stage planetary gear with integrated multi-disc brake
<b>Uppercarriage swing speed</b>	0–7 rpm infinitely variable
<b>Slewing lock</b>	Electronically activated

### Undercarriage

<b>Front axle</b>	Planetary drive axle with integrated drum brake, rigidly mounted
<b>Rear axle</b>	Planetary drive axle with integrated drum brake, oscillating axle with automatic oscillation lock


### Undercarriage

<b>Supporting</b>	Support blade on side of oscillating axle; integrated cylinder protection
<b>Tyres</b>	Twin tyres – air inflated without spacers in between 10.00-20 16PR with wireless tyre pressure monitoring system
<b>Brakes</b>	
<b>Service brake</b>	Hydraulically activated dual-circuit brake system acting on all four wheel pairs, lockable
<b>Parking brake</b>	Electro-hydraulically actuated spring-loaded disk brake on the front axle, works on both axles

### Hydraulic System

<b>Max. pump capacity</b>	330 l/min
<b>Max. operating pressure</b>	320 / 360 bar
<b>Hydraulic oil tank</b>	270 l
<b>Filtration</b>	Flow-optimized return filters, integrated in the oil tank. Filter fineness defined at a beta value $\beta(10) = 200$ guarantees 99.5% separation of dirt particles with 10 $\mu\text{m}$ . Very good separation values are already achieved with particle sizes of 3 $\mu\text{m}$ . Generously dimensioned for long operating times.
<b>Cooling system</b>	Hydraulic oil cooler, fan speed controlled via a thermostat, reversible fan drive

### Operator's Cab

<b>Cab</b>	Cabin with sliding door, mounted on silent blocks, viewing height 4.00 m. Reinforced steel structure, soundproofed, heat-insulated panoramic windows for best all-round visibility, front window with roller blind, glass panel in the cabin roof with sliding blind. Heating and air conditioning, separate heat exchangers, fresh and recirculated air filters. Front & roof guards for timber application. Multifunction touch display, bottle holder, paper clip and multiple storage and mounting options. Digital radio (DAB+, USB, Bluetooth & hands-free), USB charging station 5V.	
<b>Air conditioning</b>	Automatic air-conditioning. Infinitely variable heating with 8-speed fan, 10 adjustable air nozzles, 3 defroster nozzles.	
<b>Operator's seat</b>	Low-frequency suspension comfort seat with seat heating, passive seat climatisation and swinging armrests / joysticks. Safety belt, lumbar support and headrest. Enables fatigue-free work due to universal adjustment options for the seat position, seat inclination and the arrangement of the seat cushion in relation to the armrests and joysticks.	
<b>Monitoring</b>	Ergonomically arranged, glare-free Multifunction display. Automatic monitoring and storage of deviating operating states (e.g. all hydraulic oil filters, hydraulic oil temperature – coolant and charge air temperature – diesel particulate filter loading, steering), visual and audible warning. Diagnostic option for the individual sensors via the multifunction display. Rear view and side view camera on the right with separate monitor	
<b>Noise level</b>	<b>EU Stage V/ U.S. Tier 4</b>	<b>EU Stage IIIA/ U.S. Tier 3*</b>
	Sound power level (ambience) $L_{WA}$ 92.2 dB(A) (metered) acc. to directive 2000/14/EC $L_{WA}$ 96 dB(A) (guaranteed) acc. to directive 2000/14/EC	Sound power level (ambience)  Sound pressure level (inside the cabin) acc. to directive ISO 6396 $L_{pA}$ 69 dB(A)
<b>Vibrations</b>	Weighted r.m.s. value of acceleration of upper limbs: under 2.5 m/s <sup>2</sup> (98 in/s <sup>2</sup> ) Weighted effective value of acceleration for the seat and feet: under 0.5 m/s <sup>2</sup> (20 in/s <sup>2</sup> )	

Certified in accordance with CE regulations

## EQUIPMENT

	Standard	Option
<b>Diesel Engine</b>		
Intercooler and coolant radiator	●	
Direct electronic fuel injection / common rail	●	
DEF injection, passive regeneration	●	
Advanced automatic idle incl. engine shut-off function	●	
ECO- und Power Mode	●	
Engine preheating		●
Engine diagnostics interface	●	
Temperature-dependent fan drive with reversible fan	●	

### Undercarriage

Support blade on side of oscillating axle; integrated cylinder protection	●	
Second support blade (rigid axle side), individually controlled (including integrated cylinder protection)		●
Maintenance free prop shafts	●	
All-wheel drive	●	
All-wheel steering	●	
Power shift gear	●	
Wireless tyre pressure monitoring	●	
Rear axle oscillating lock	●	
Direction of travel detection	●	
Dual circuit braking system	●	
Twin tyres – air inflated without spacers in between 10.00-20 16PR (Trelleborg T900)		●
Twin tyres – air inflated without spacers in between 10.00-20 16PR (Maxxis)		●
Trailer hitch (rigid axle side)		●
Mudguard plastic		●
Protection guard drivetrain		●
Toolbox, large		●
Toolbox, small	●	
Special paint		●

### Uppercarriage

Separated Cooling System	●	
Cooling system with temperature-dependent fan drive	●	
Reversible fan for hydraulic oil cooler	●	
External battery terminals	●	
Lockable maintenance hatches	●	
Automatic central lubrication system, grease reservoir can be filled from the ground	●	
Rear view camera	●	
Side view camera	●	
Travel alarm		●
Electric refuelling pump		●
Light protection for headlights and direction indicator	●	
Special paint		●

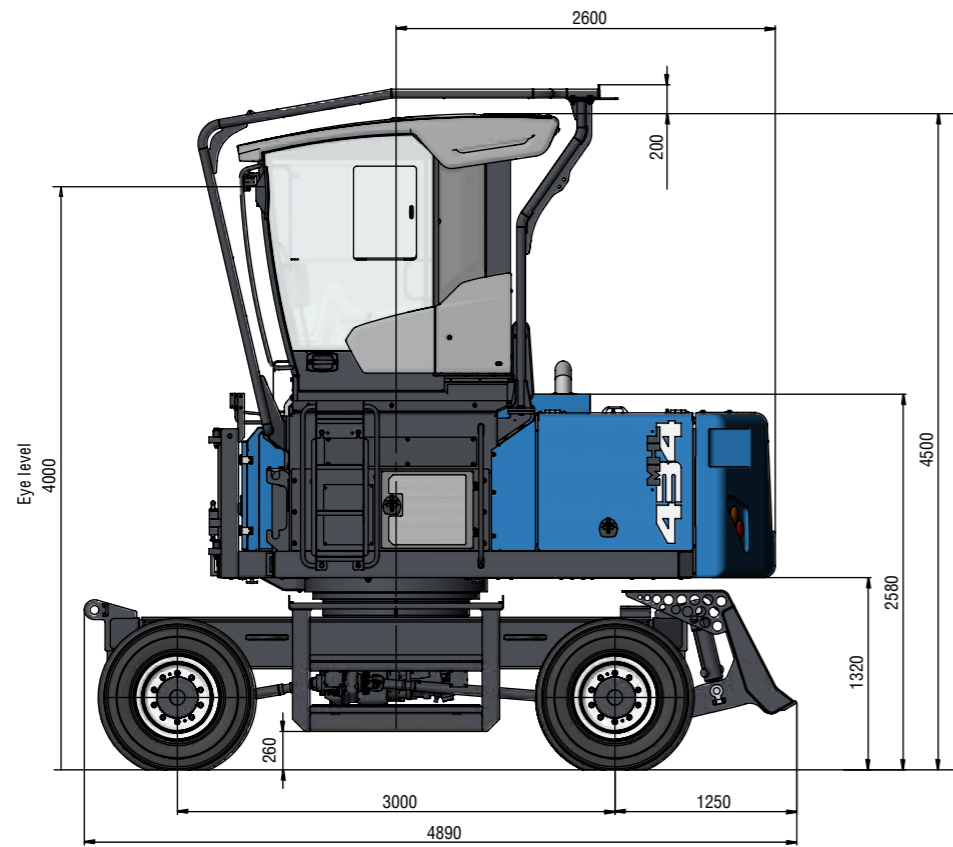
	Standard	Option
<b>Operator's Cab</b>		
Automatic adjustment of steering direction	●	
Driving direction indication	●	
Electrical steering lock of the front axle	●	
Different steering characteristics	●	
Rigid cabin system (viewing height 4.00 m)	●	
Cabin tinted windows (side, rear)	●	
Single-pane safety glass (ESG)	●	
Sliding window in cab door	●	
Glass roof panel	●	
Cabin with penetration resistant glass front & top (classification P5A)		●
Cabin with bullet-proof glass (classification P8B)		●
Windshield washer system	●	
Washing device for roof window		●
Low-frequency suspended comfort driver's seat incl. seat heating, air conditioning, and swinging armrests / joysticks	●	
Joystick steering	●	
Air Conditioner	●	
Auxiliary heating incl. timer		●
Multi-function display	●	
Document clip	●	
Cabin front & top guard for timber machines	●	
12 V transformer		●
12V socket/cigarette lighter		●
Digital radio (DAB+, USB, Bluetooth & hands-free system)	●	
Fire extinguisher, dry powder with holder		●
<b>Other Equipment</b>		
Close proximity range limiter for dipper stick	●	
Coolant and hydraulic oil level monitoring system	●	
Filtration system for attachments		●
Rupture valves for lifting cylinders	●	
Rupture valves for stick cylinders	●	
Overload warning device basic		●
Quick coupling on dipper stick	●	
Ball valves on dipper stick		●
Dipper stick impact protection		●
Active cyclone prefilter (TOP AIR)		●
Hydraulic oil preheating		●
Lubrication of the grab suspension by central lubrication system	●	
Light packages LED cabin front left & right, cabin rear left, welcome home illumination with remote control, engine room, counterweight left & right, uppercarriage right	●	
LED stick center		●
Fuchs Connect telematics system, incl. 5 years contract	●	

\* for low-regulated markets

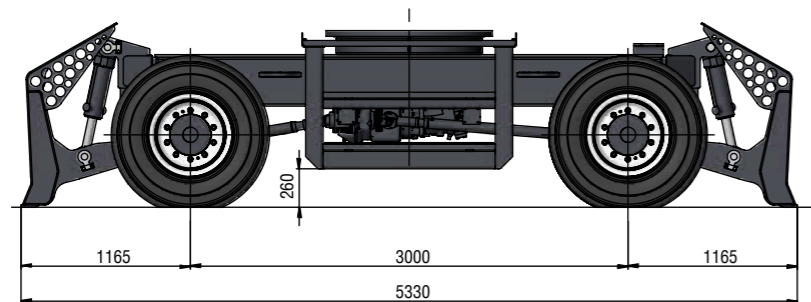


**DIMENSIONS**

**Side view**  
all dimensions in mm

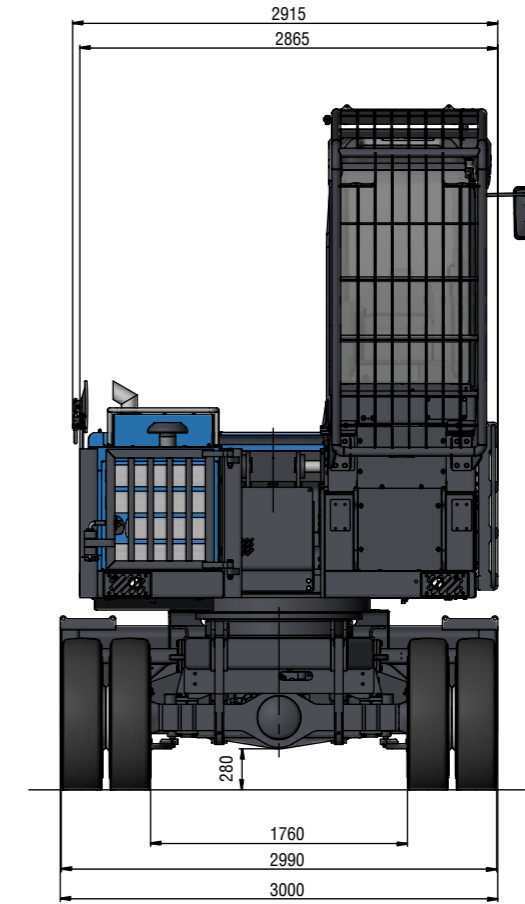


**Side view with support blade**  
all dimensions in mm

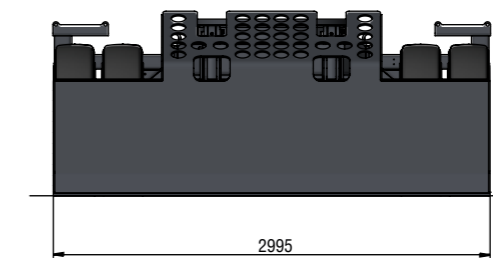


**DIMENSIONS**

**Front view**  
all dimensions in mm

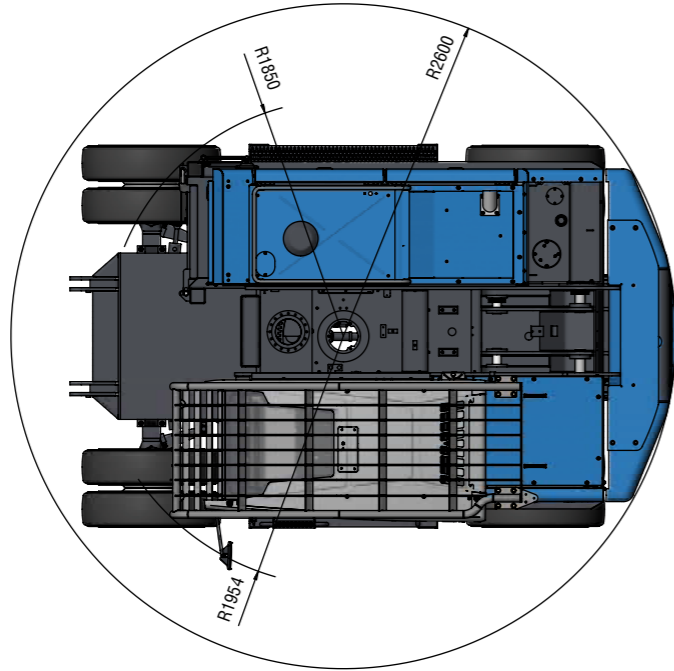


**Support blade**  
all dimensions in mm

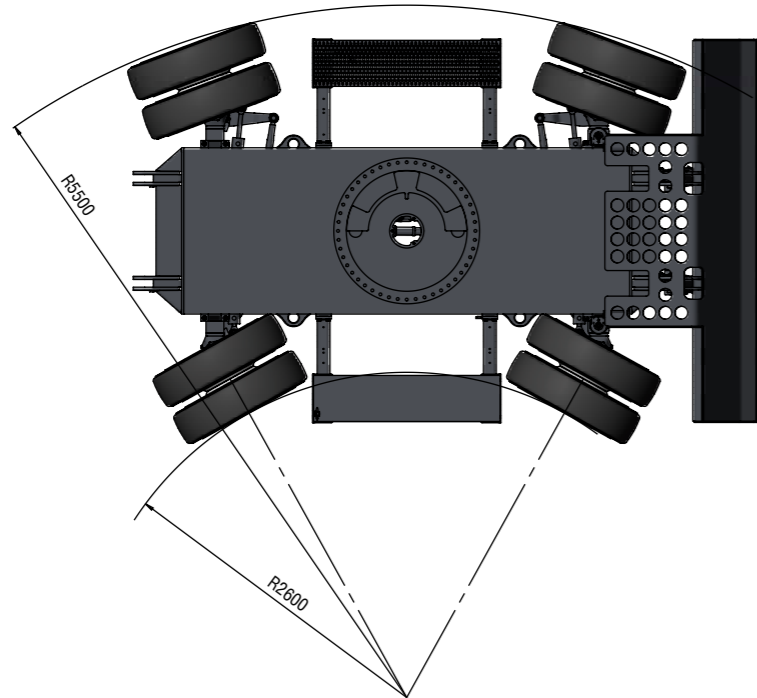


### DIMENSIONS

**Swing area**  
all dimensions in mm

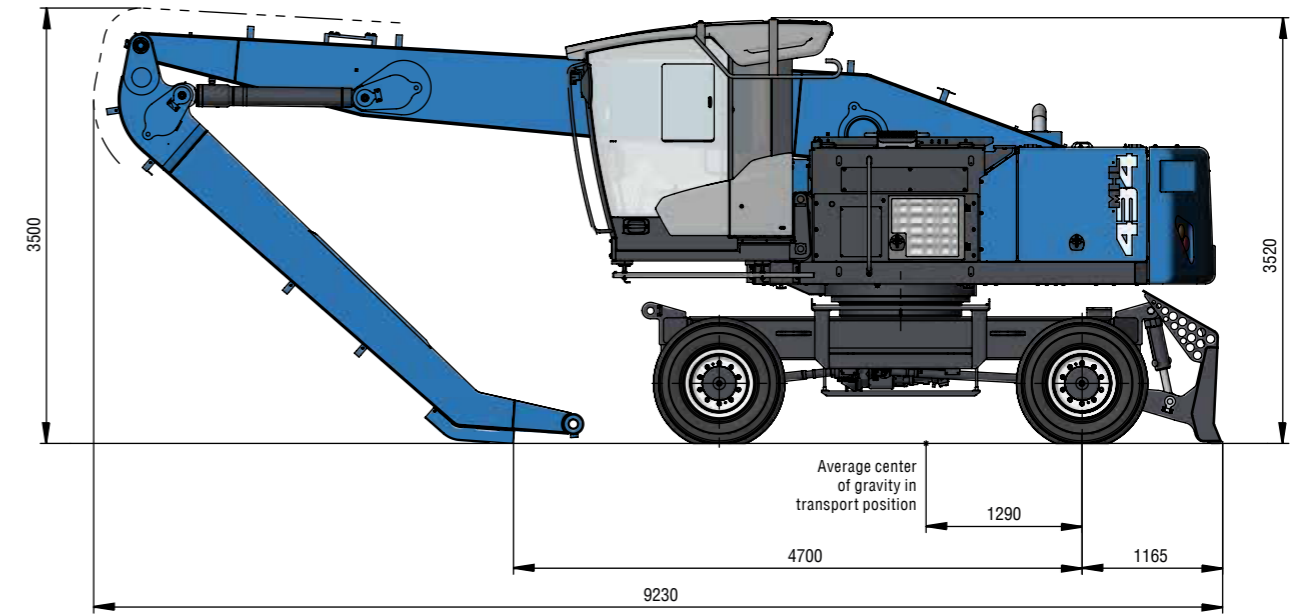


**Turning radius**  
all dimensions in mm

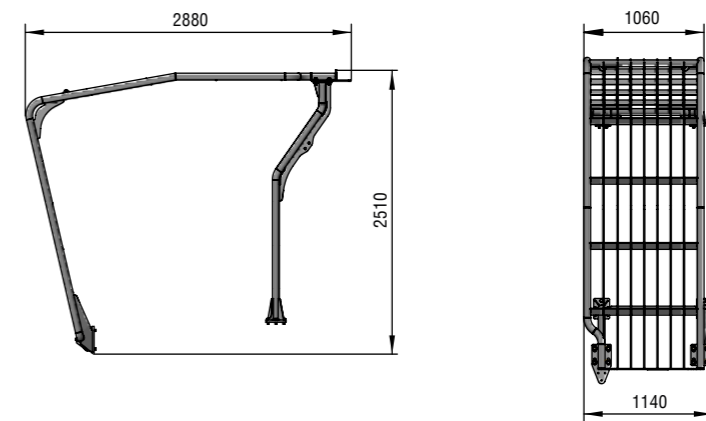


### TRANSPORT DIMENSIONS

**Side view**  
all dimensions in mm

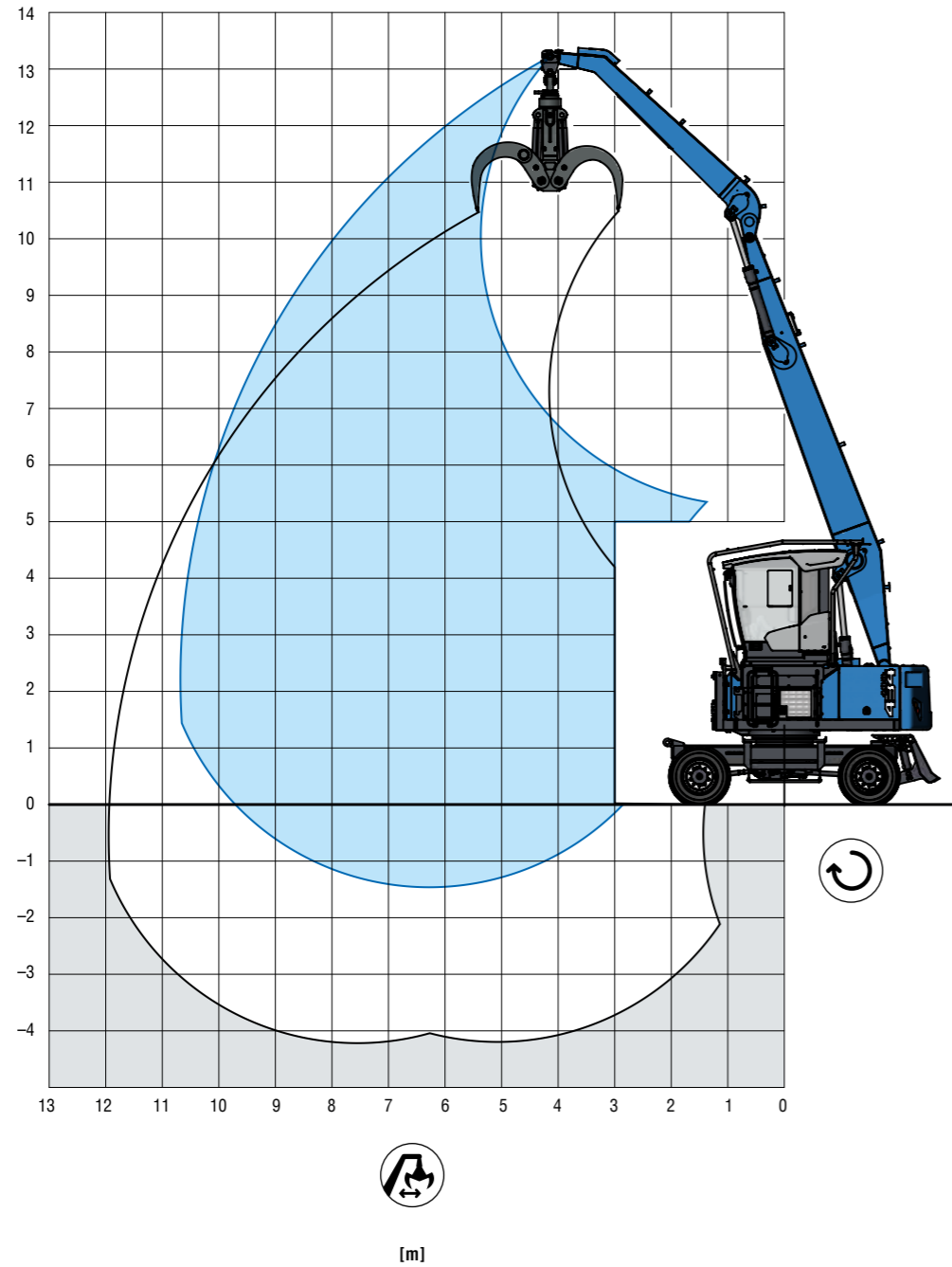


**Front and roof guard**  
all dimensions in mm



REACH

10.7 m with dipper stick



LIFTING CAPACITY

Height [m]	Rotation	Center of rotation					
		3 m	4.5 m	6 m	7.5 m	9 m	10.5 m
12 m	360°			3.3° (3.3°) [3.3°]			
10.5 m	360°			5.7° (5.7°) [5.7°]	3.2° (3.2°) [3.2°]		
9 m	360°			6.6 (7.1°) [6.9]	4.6 (5.3°) [4.8]		
7.5 m	360°			6.4 (7.5°) [6.7]	4.5 (5.9) [4.7]	3.3 (4.2°) [3.5]	
6 m	360°		9.2° (9.2°) [9.2°]	6.2 (7.7°) [6.5]	4.4 (5.8) [4.6]	3.3 (4.4) [3.5]	
4.5 m	360°	10.0 (10.0) [10.0]	8.9 (9.8°) [9.8°]	5.9 (7.8) [6.3]	4.2 (5.6) [4.5]	3.2 (4.3) [3.4]	
3 m	360°	10.0 (10.0) [10.0]	8.3 (10.0) [9.2]	5.5 (7.5) [6.0]	4.0 (5.4) [4.3]	3.1 (4.2) [3.3]	2.5 (3.3) [2.6]
1.5 m	360°	5.9° (5.9°) [5.9°]	7.8 (10.0) [8.7]	5.2 (7.2) [5.7]	3.9 (5.2) [4.2]	3.0 (4.1) [3.2]	2.4 (3.3) [2.6]
0 m	360°	5.3° (5.3°) [5.3°]	7.4 (9.7°) [8.4]	5.0 (7.0) [5.6]	3.7 (5.1) [4.1]	2.9 (4.0) [3.2]	
<b>max. reach 10,7 m</b>							
2.2 m	360°						2.4 (2.8°) [2.6]

Recommended attachments upon request

- Values for a rotation range of 360° on solid and level ground
- Values for stationary use in longitudinal direction of the undercarriage (support blade on the rear side)
- Values for travel in longitudinal direction of the undercarriage (support blade on the rear side)
- Height
- Reach
- Center of rotation

The lift capacity values are stated in metric tons (t) and apply when the pendulum axle is locked. In accordance with ISO 10567 the lift capacity values represents 75% (60% when driving, according to DIN EN 474-5) of the static tipping loads or 87% of the hydraulic lifting force (marked \*). On solid and level ground the values apply to a swing range of 360°. The ( ... ) values apply to stationary use in the longitudinal direction of the undercarriage (rear plate). The [ ... ] values apply to driving in the longitudinal direction of the undercarriage (rear plate). The weights of the attached load hoisting equipment (grab, load hook, etc.) must be deducted from the lift capacity values. The working load of the lifting device must be observed. In accordance with the DIN EN 474-5 for object handling application hose rupture valves on the boom and stick cylinders, an overload warning device and the lift capacity table in the cab are required.



# GREAT FEATURES COME STANDARD WITH YOUR FUCHS



- Wireless tyre pressure monitoring



- Switch for light in engine bay



- Engine radiator protection



- Boom cylinder damping system



- Front and roof guard for timber application



- Welcome home illumination with remote control



- Support blade, integrated cylinder protection



- Travel-direction detection



- External battery terminals



- Automatic steering reversal (can be switched off)



# SPECIAL OPTIONS (EXTRACT) FOR TIMBER APPLICATIONS



- Trailer hitch



- Filtration system for attachments



- Drivetrain protection guard



- Wide range of alternative tyres
- Mudguards





# Let's handle it!



---

[www.terex-fuchs.com](http://www.terex-fuchs.com)

April 2022 Product specifications and prices are subject to change without notice or obligation. The photographs and/or drawings in this document are for illustrative purposes only. Refer to the appropriate Operator's Manual for instructions on the proper use of this equipment. Failure to follow the appropriate Operator's Manual when using our equipment or to otherwise act irresponsibly may result in serious injury or death. The only warranty applicable to our equipment is the standard written warranty applicable to the particular product and sale and Terex makes no other warranty, express or implied. © Terex Corporation 2021 - Terex, the Terex Crown design, Fuchs and Works For You are trademarks of Terex Corporation or its subsidiaries.

Terex® Deutschland GmbH | Industriestraße 3 | 76669 Bad Schönborn | Germany | Fon: +49 (0) 7253 84-0 | Fax: +49 (0) 7253 84-102 | [info@terex-fuchs.com](mailto:info@terex-fuchs.com)

